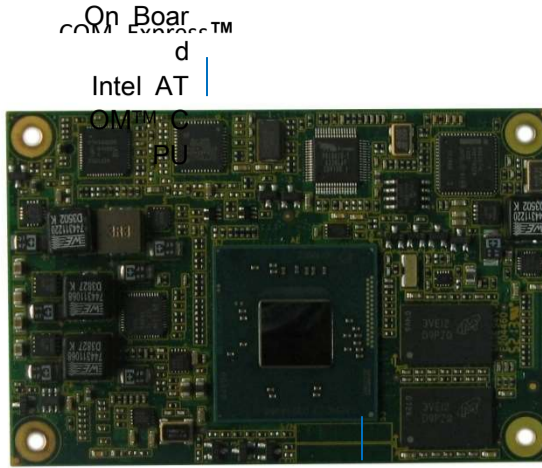


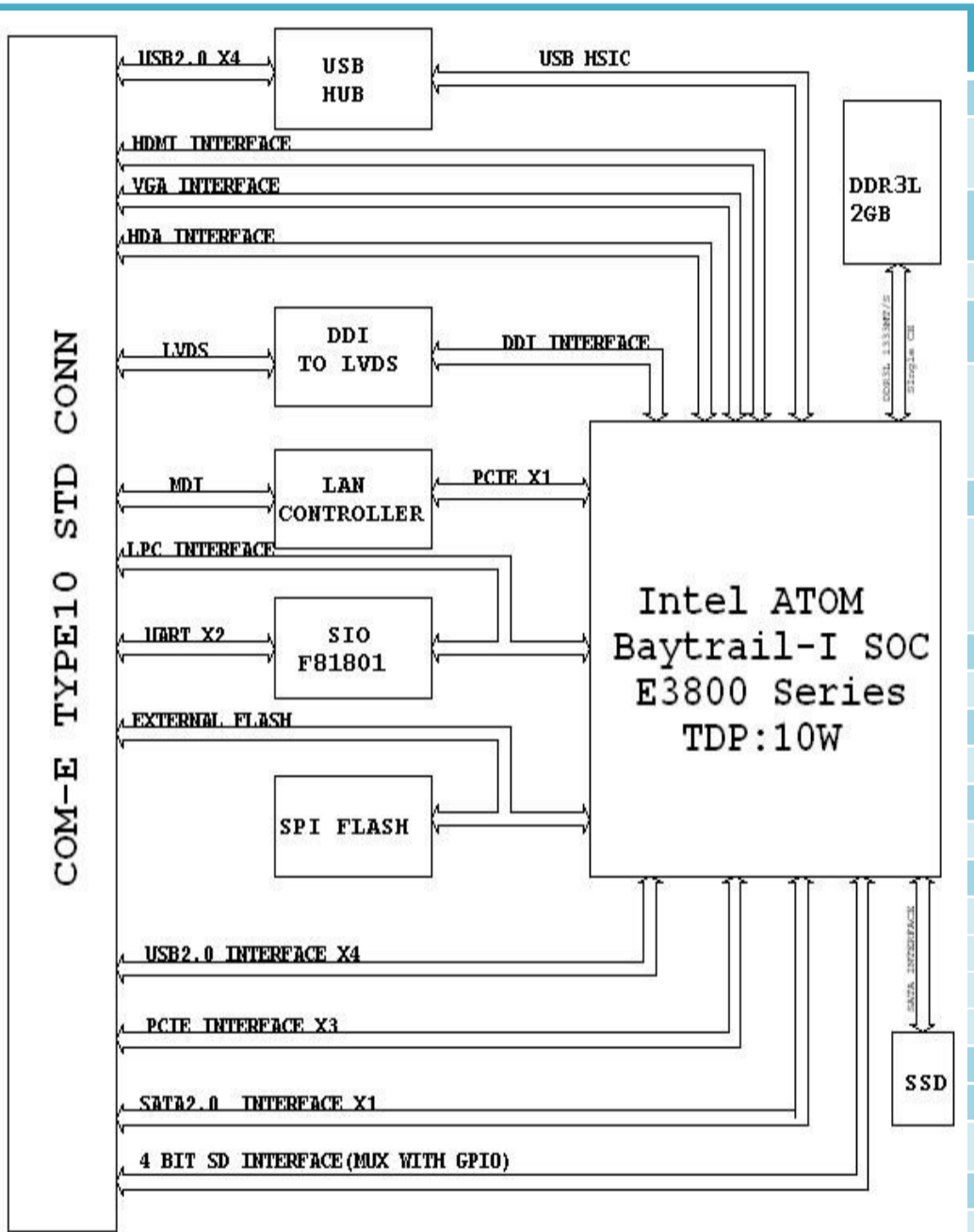
CPU Board: NanoCOM BTA, COM Express, CPU Module, with Intel® ATOM™ E3827/E3845 /E3815 Processor

Features

- Intel ATOM E3845/1.91GHz,E3827/1.75GHz,E3815/1.46GH
- Embedded SATA II SSD Hard Disk Internal 8GB ( optional )
- 1xMMC/SD card interface
- HDMI, VGA ,LVDS Output Interface
- 1x10/100-BaseT Ethernet, 8xUSB 2.0 Host
- 2xRS232,Buzzer Alarm
- 1x HDA interface
- Windows, or Linux Supported
- Power Input DC12V and DC5V ,Support Auto Power up
- Wide Temperature Available: -40°C ~ +85°C



Bottom View



<b>Power</b>	Input	+5V/2A, +12V/2A
<b>Mechanical</b>	Dimensions	COM Express Nano size: 84mm x 55mm
	Gross Weight	0.15Kg
<b>Environment Condition</b>	Temperature	Operating: -20°C ~ + 61°C Storage: -40°C ~ +85°C
	Humidity	10-85%RH(Non-Condensation),Operating & Storage
	Cooling Mode	Fan less, Heat Sink

NOTES:

All specifications are subject to change without notice. Please contact Vantron for additional requirements.